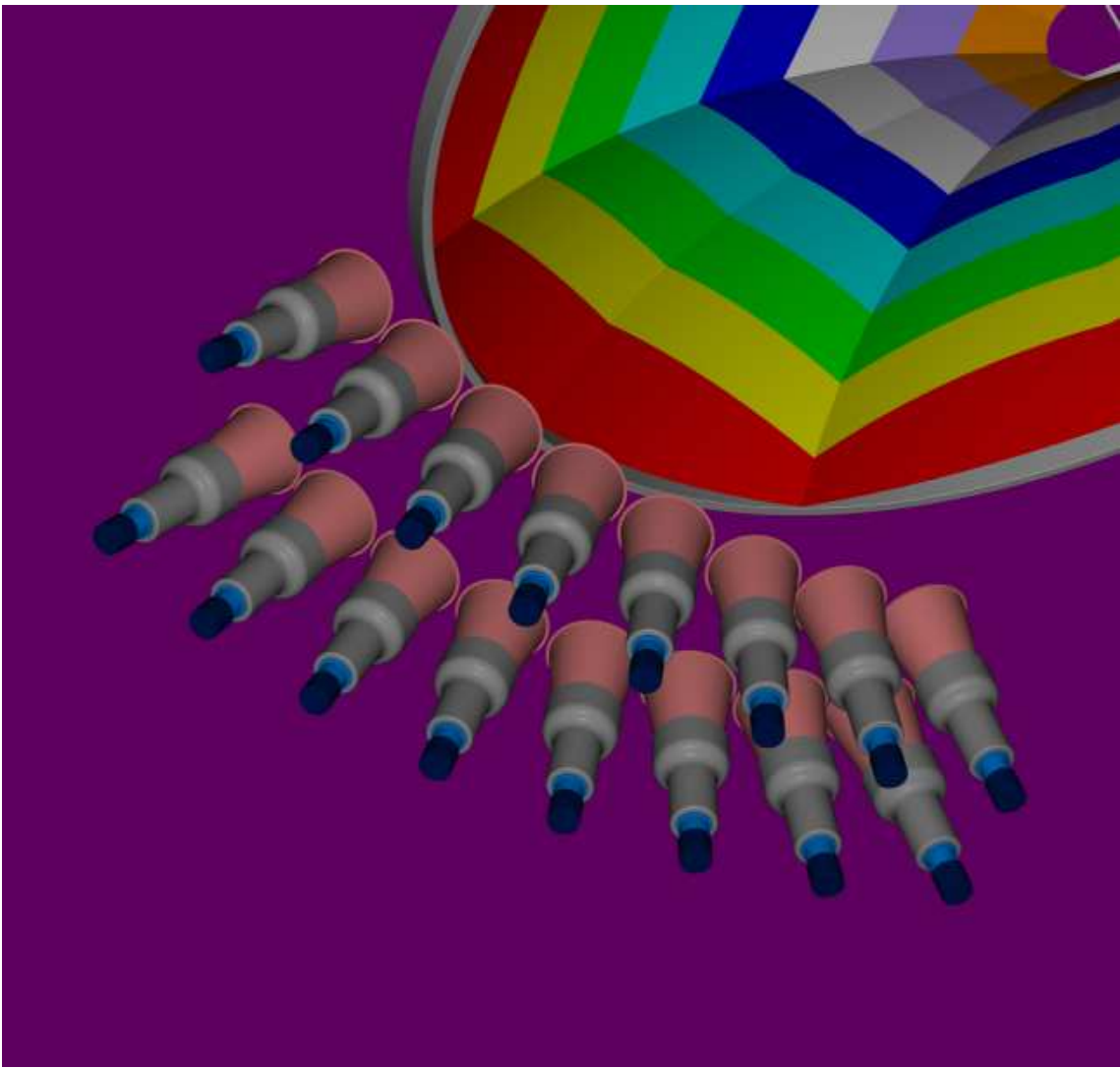
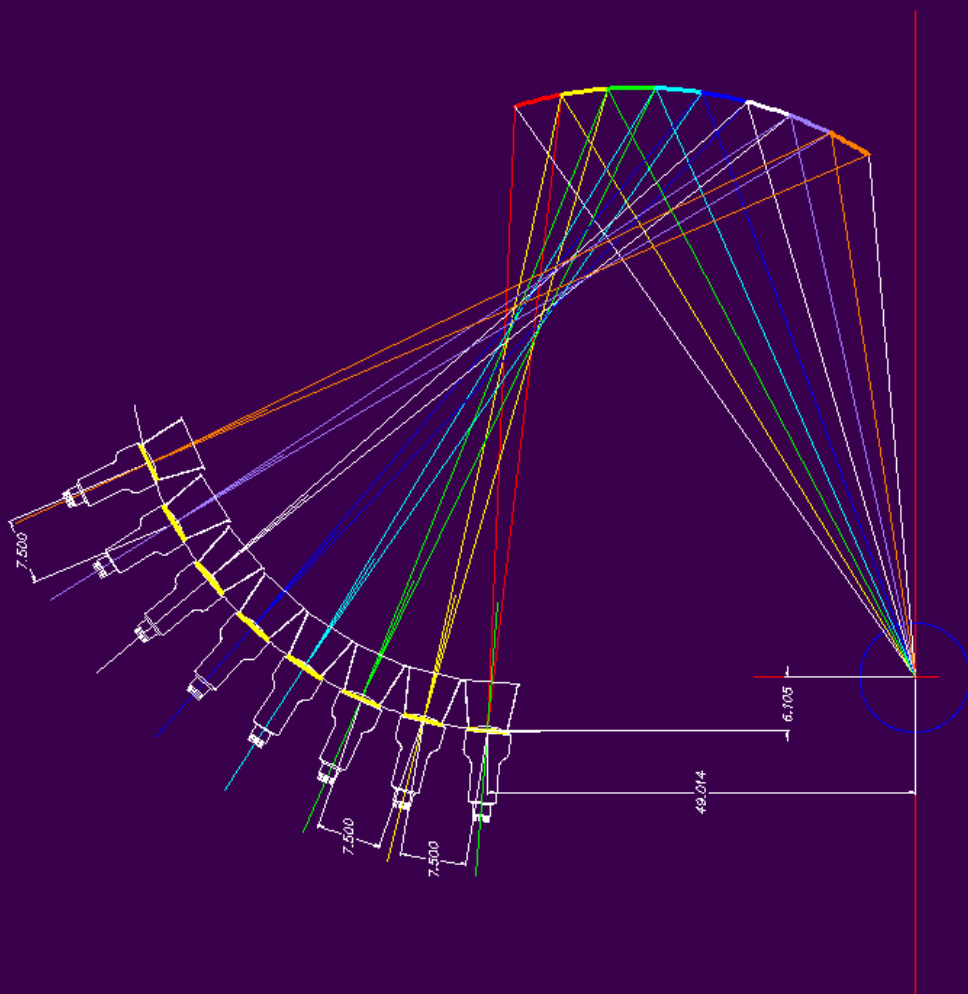
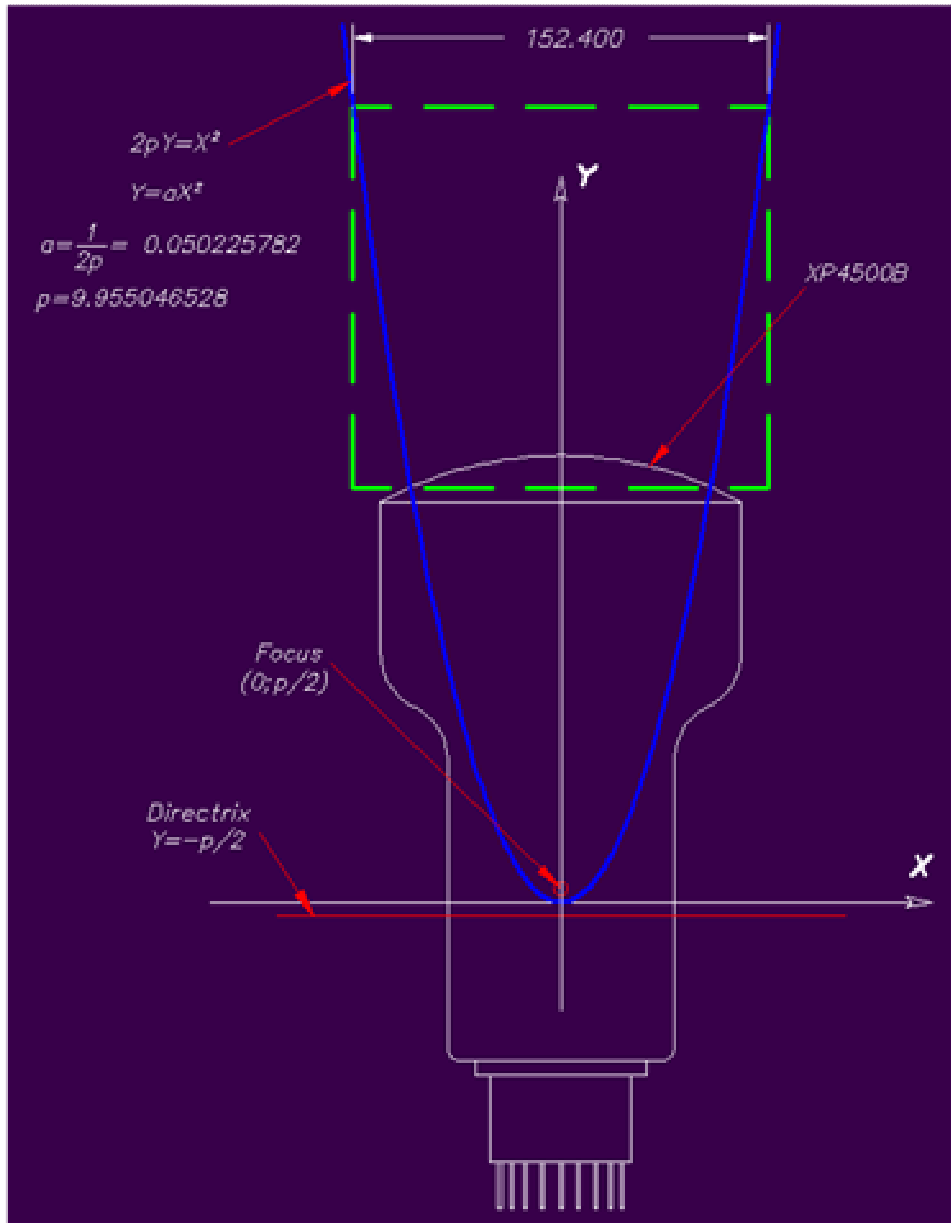


Status of Light Collection Cones

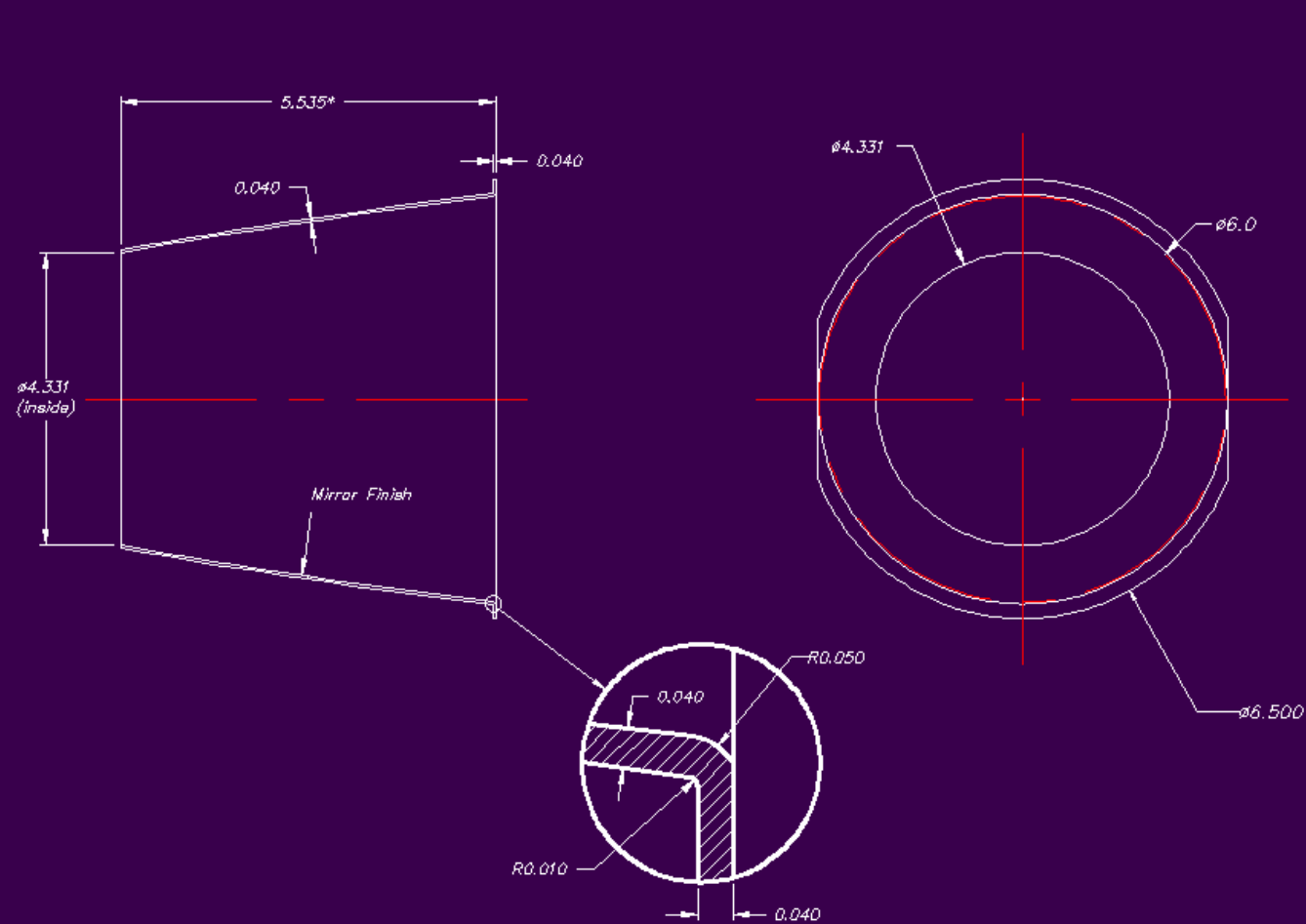
Paul Stoler - *RPI*





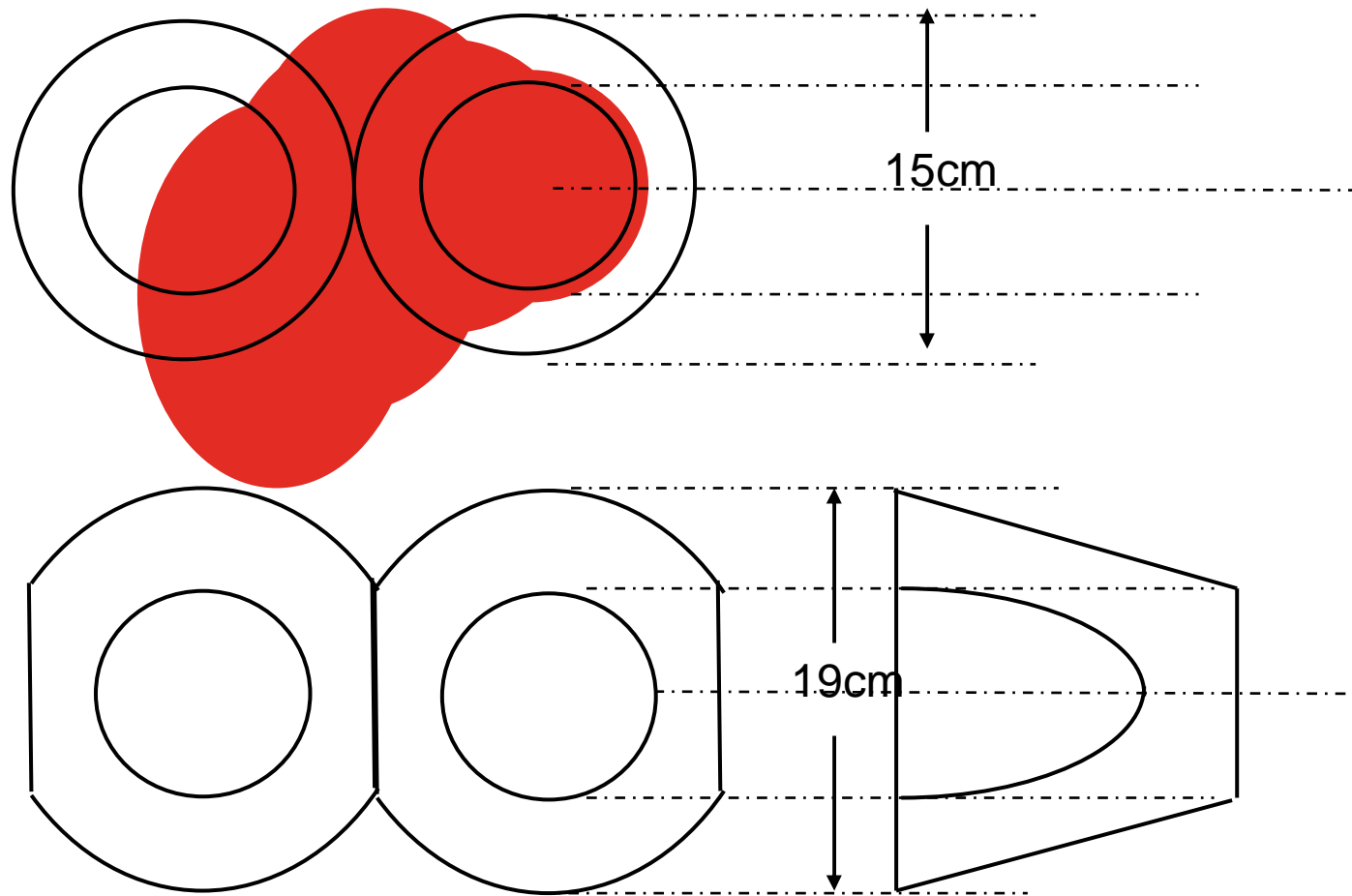


WINSTON CONE



Vendors: Optiforms (quote ~ \$45 K)
NiCoForm, Inc. (quote pending)

-40 -30 -20 -10 0 tgt. offset (cm)



Beam spot vs. variation in target position

